



SERIES 24 LOR

With Push-to-Trip

Push-to-Trip Lock-Out Relay

Push-to-trip Lock-Out Relays (Manual only) provide a safe means of tripping circuits without opening the panel or exposing maintenance personnel to risk.

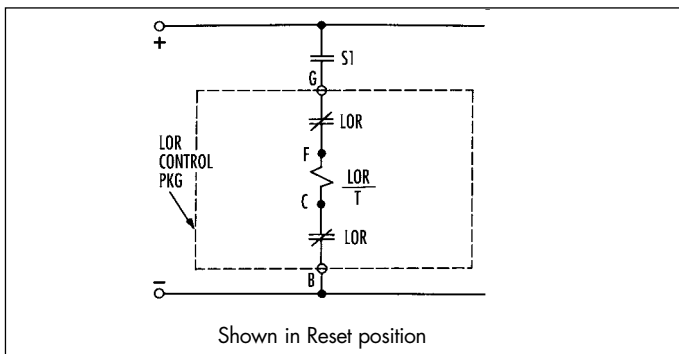
- Simplifies testing of connected circuits
- Eliminates the need to trip from rear of panel
- Allows tripping of LOR without using jumpers or trip signal
- Design prevents accidental tripping and ensures tripping of intended LOR
- Initial test is done electrically, subsequent testing can be done manually
- Trip button is easily accessed via a hole drilled in the panel

Note: Manually resetting into a fault can possibly damage the LOR trip coil.



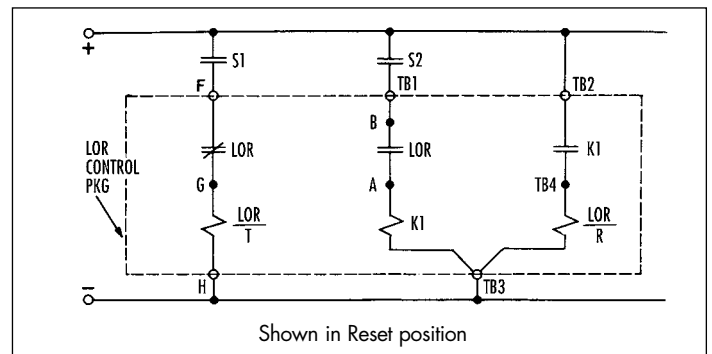
Manual Reset LOR

Closing S1 energizes the linear solenoid $\frac{LOR}{R}$ which releases the trigger mechanism and causes the LOR to snap to the Trip position. The control deck blades rotate to interrupt current flow to the coil.



Electric Reset LOR

The Electric Reset LOR is tripped by the same method as the Manual Reset LOR. In the Trip position, closing S2 operates relay K1 which closes relay contact K1. The current then flows through solenoid $\frac{LOR}{R}$ which rotates the LOR/ER back into the reset position, while at the same time terminals A-B open to interrupt the K1 relay. Transition time is 80mSec.



Self Reset LOR

The Self Reset LOR is a special Electric Reset LOR which can be both TRIPPED and RESET from a single command contact. In both diagrams below, closing S1 will cause the LOR/SR to snap to the TRIP position. The unit will remain in TRIP as long as S1 remains closed. When S1 is opened, K1 is picked up and the LOR/SR returns to the reset position. The Instant

Reset LOR/SR will reset itself within 80mS of the opening of S1. The Time Delay LOR/SR has factory preset circuitry which causes a time delay of .3 to .6 seconds from the time S1 opens until the LOR/SR contacts reclose.

