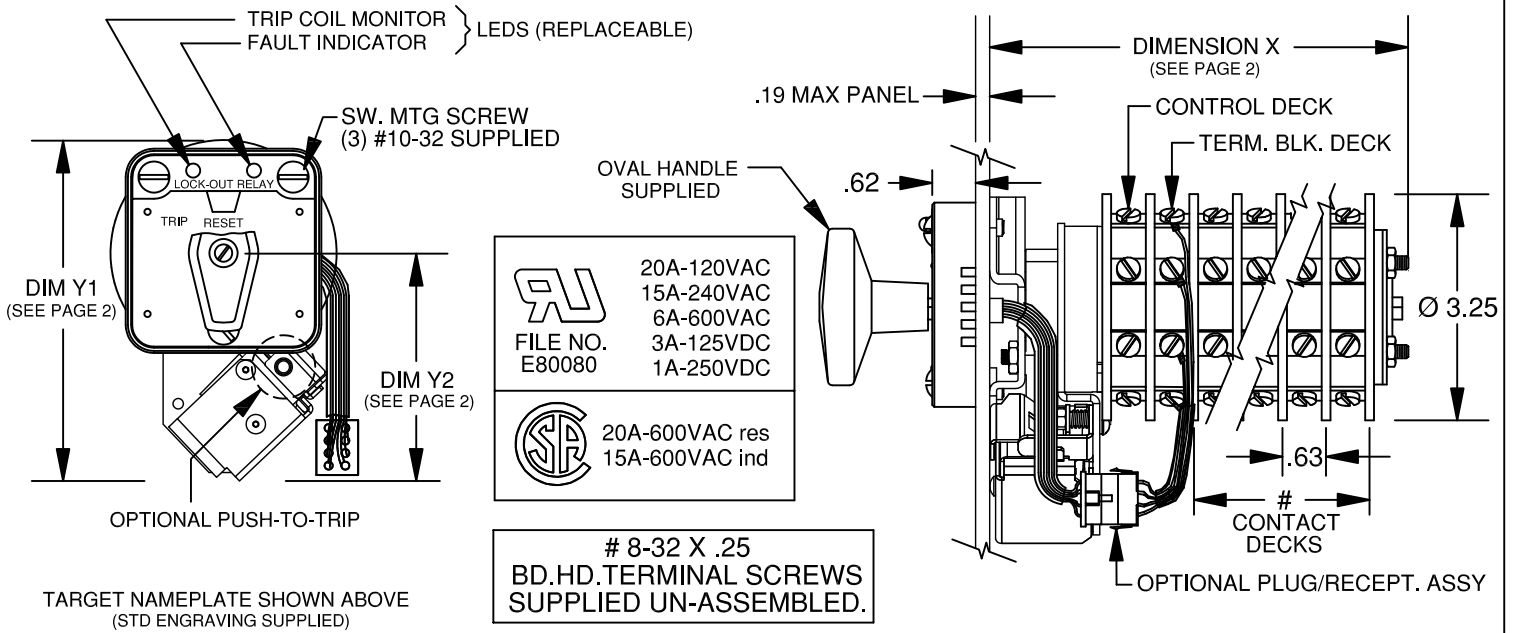




ELECTROSWITCH
 UNIT OF ELECTRO SWITCH CORP.
 WEYMOUTH, MASSACHUSETTS 02188
 TEL: (781)335-5200 FAX: (781)335-4253

STANDARD MANUAL RESET LOCKOUT RELAY

78P-LOR



STANDARD PART NUMBERING SYSTEM

78P B GXR M 01 D

SWITCH TYPE
 STANDARD
 LOCK-OUT RELAY
 P/N PREFIX

FOR STANDARD
 LOCK-OUT RELAY
 WITH PUSH-TO-
 TRIP OPTION, USE
 P/N PREFIX
 T78P

**NAMEPLATE CONFIG
 (SINGLE LETTER)**

A - 1 LED, 48/125VDC
 B - 2 LEDs, 48/125VDC
 E - 1 LED, 120VAC
 F - 2 LEDs, 120 VAC
 J - 1 LED, 24VDC
 K - 2 LEDs, 24VDC
 Y - 2 LEDs, 250VDC
 Z - 1 LED, 250 VDC

**LED ARRANGEMENT
 (3 LETTERS)**

1ST LTR - LEFT LED
 2ND LTR - X (DEFAULT)
 3RD LTR - RIGHT LED

A - AMBER
 B - BLUE
 G - GREEN
 R - RED
 W - WHITE
 X - NO LED

**MOLEX CONNECTOR
 (SINGLE LETTER)**

M - INCLUDE MOLEX
 CONNECTOR
 X - EXCLUDE MOLEX
 CONNECTOR
 (DIRECT WIRE)

**CONTACT DECKS
 (2 DIGITS)**

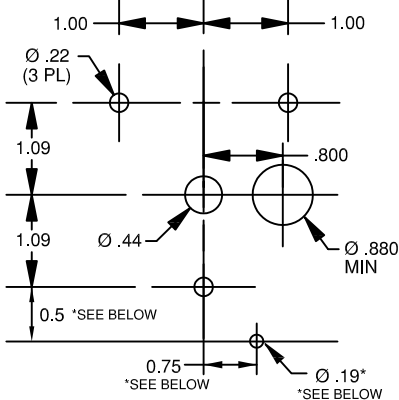
01 - 1 DECK
 02 - 2 DECKS
 03 - 3 DECKS
 04 - 4 DECKS
 05 - 5 DECKS
 06 - 6 DECKS
 07 - 7 DECKS
 08 - 8 DECKS
 10 - 10 DECKS
 12 - 12 DECKS
 15 - 15 DECKS

**TRIP COIL TYPE
 (SINGLE LETTER)**

A - 24 VDC
 B - 24 VDC
 C - 48 VDC
 D - 125 VDC
 E - 125 VDC
 F - 250 VDC
 G - 125 VDC
 H - 250 VDC
 K - 125 VDC

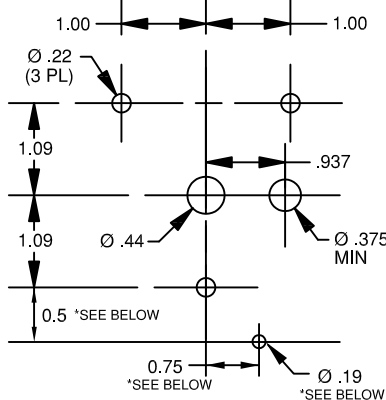
SEE PAGE 2 FOR
 DETAILED COIL
 SPECIFICATIONS

PANEL DRILLING DIMENSIONS W/ MOLEX



* REQUIRED FOR PUSH-TO-TRIP OPTION ONLY

PANEL DRILLING DIMENSIONS NO MOLEX

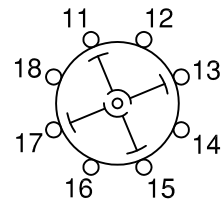


* REQUIRED FOR PUSH-TO-TRIP OPTION ONLY

CONTACTS

DECK 1	POSITION	
	TRIP	RESET
11	13	X
12	18	X
15	17	X
14	16	X

REMAINING DECKS SAME AS DECK 1
 EXCEPT FOR TERMINAL NUMBERS



REVISIONS:

MADE BY: SPB
 APPR BY: MK MK

DATE: 01-30-19
 DATE: 01-30-19

CALL FACTORY FOR CUSTOM OPTIONS OR
 CONFIGURATIONS NOT DETAILED ABOVE

SHEET 1 OF 2

REV
 0



STANDARD TRIP COIL SPECIFICATIONS

	COIL A	COIL B	COIL C	COIL D	COIL E
NOMINAL VOLTAGE:	24 VDC	24 VDC	48 VDC	125 VDC 120 VAC	125 VDC
OPERATING RANGE:	10-40 VDC	18-50 VDC	24-70 VDC	30-140 VDC/AC	45-140 VDC
THRESHOLD:	6 VDC (MIN)	9 VDC (MIN)	12 VDC (MIN)	16 VDC/AC (MIN)	23 VDC (MIN)
COIL RESISTANCE:	3.3 Ω	7.7 Ω	13.0Ω	27.0Ω	50.0Ω
COIL BURDEN @ NOMINAL V:	7.3 AMPS	3.1 AMPS	3.7 AMPS	4.6 AMPS	2.5 AMPS

	COIL F	COIL G	COIL H	COIL K	FOR RESPONSE TIMES & ADD'L INFO REFER TO TECHNICAL PUBLICATION LOR-1
NOMINAL VOLTAGE:	250 VDC	125 VDC	250 VDC	125 VDC	
OPERATING RANGE:	70-280 VDC	90-140 VDC	180-280 VDC	100-150 VDC	
THRESHOLD:	33 VDC (MIN)	70 VDC (MIN)	140 VDC (MIN)	16 VDC (MIN)	
COIL RESISTANCE:	104.0 Ω	27.0Ω	104.0 Ω	27.0Ω	
COIL BURDEN @ NOMINAL V:	2.4 AMPS	4.6 AMPS	2.4 AMPS	4.6 AMPS	

REFERENCE DIMENSIONS

DIMENSION X
(DEPTH BEHIND PANEL)

DIMENSION Y1

DIMENSION Y2

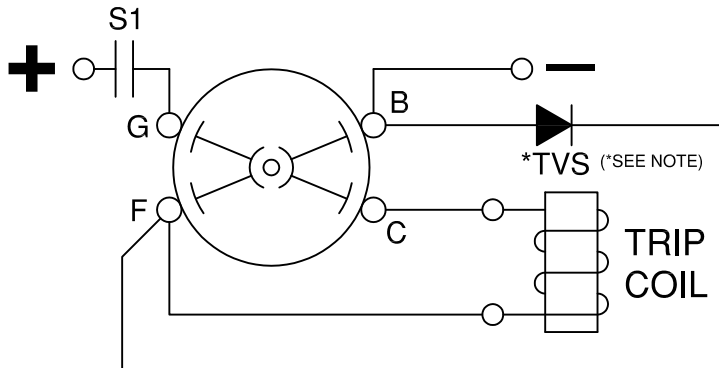
- 01 - 1 DECK - 4.38"
- 02 - 2 DECKS - 4.75"
- 03 - 3 DECKS - 5.50"
- 04 - 4 DECKS - 6.25"
- 05 - 5 DECKS - 7.00"
- 06 - 6 DECKS - 8.13"
- 07 - 7 DECKS - 8.50"
- 08 - 8 DECKS - 9.25"
- 10 - 10 DECKS - 10.50"
- 12 - 12 DECKS - 11.75"
- 15 - 15 DECKS - 13.45"

- COIL A - 4.75"
- COIL B - 4.75"
- COIL C - 4.75"
- COIL D - 4.75"
- COIL E - 4.75"
- COIL F - 4.75"
- COIL G - 5.62"
- COIL H - 5.62"
- COIL K - 5.10"

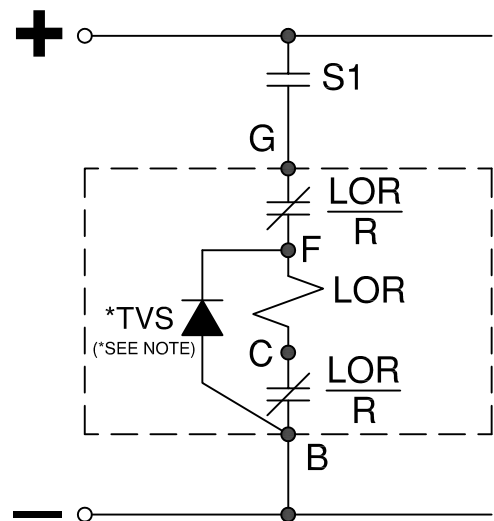
- COIL A - 3.13"
- COIL B - 3.13"
- COIL C - 3.13"
- COIL D - 3.13"
- COIL E - 3.13"
- COIL F - 3.13"
- COIL G - 4.00"
- COIL H - 4.00"
- COIL K - 3.40"

CONTROL CIRCUIT

TYPICAL CONTROL CIRCUIT IS SHOWN BELOW. NOT TO BE USED FOR WIRING.
 REFER TO SWITCH DRAWING FOR SWITCH-SPECIFIC CONTROL CIRCUIT.



LAYOUT



SCHEMATIC

	CONTACTS	POSITION	
		TRIP	RESET
CONTROL DECK	B ○ ○ C		X
	F ○ ○ G		X

* NOTE: EXTERNAL TVS IS SUPPLIED ON NAMEPLATE CONFIGURATIONS J AND K ONLY (24 VDC).

MADE BY: SPB
 APPR BY: MK

DATE: 01-30-19
 DATE: 01-30-19

CALL FACTORY FOR CUSTOM OPTIONS OR CONFIGURATIONS NOT DETAILED ABOVE

REVISIONS: