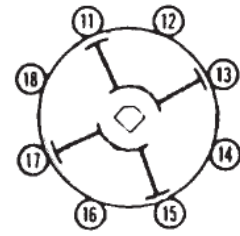


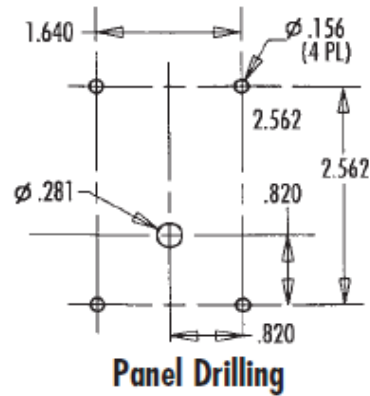
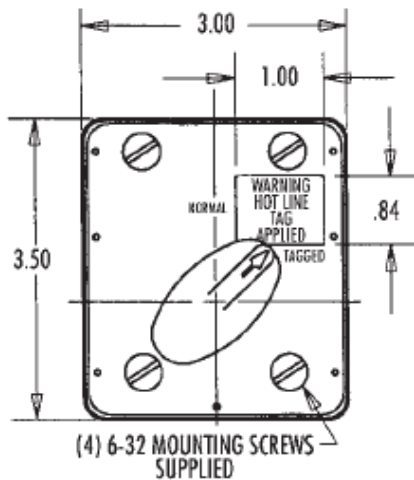
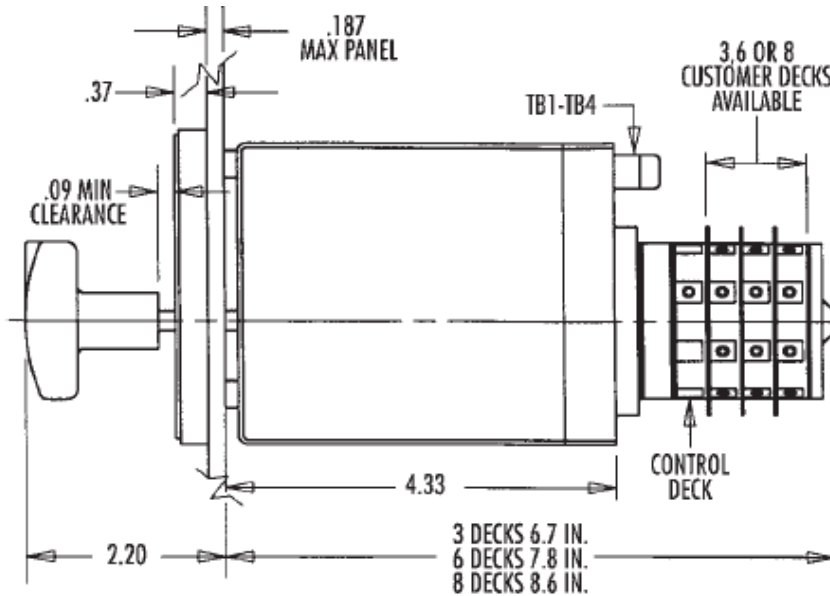
SERIES 31

Two-Position Tagging Relay

DECK	CONTACTS	POS.	
		NORMAL	TAGGED
1	11-12-13	X	
	12-13-14		X
	15-16-17	X	
	16-17-18		X



Additional Customer Decks Same As Deck 1 Except Terminal Numbers.
(Deck 2: 21 to 28, Deck 3: 31 to 38, Etc)



SERIES 31 TWO POSITION CONTROL VOLTAGES			
CONTROL VOLTAGE	48 VDC	125 VAC	120 VAC
COIL BURDEN	9.7 AMP	4.1 AMP	3.9 AMP
RESPONSE TIME	15-35 msec		

Low-Level Control

