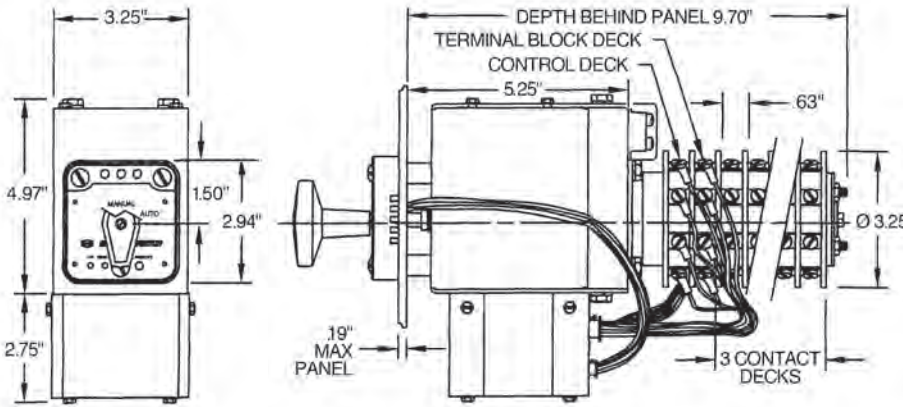


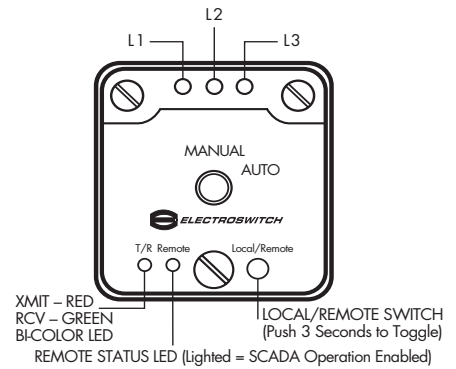


# SLSR

## SERIAL LATCHING SWITCH RELAY



### Nameplate Configuration



### Specifications

<b>Electrical</b>	
Continuous Ratings:	30 A—600 V
UL Interrupt Ratings:	20 A—120 VAC, 15 A—240 VAC, 6 A—600 VAC, 3 A—125 VDC
Overload Current (50 Ops):	60 A—125 VAC Resistive
Insulation Resistance:	.01 Ohms Maximum
Making Ability for CB Coils:	95 A—125 VDC

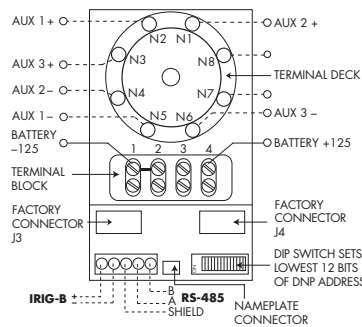
<b>Electronic</b>	
Baud Rate:	9600 Std. 1200, 4800, 19200 Selectable
Transient Protection:	Meets IEEE C37.90.1 and IEC 61000-4-4
Signal Hold Time:	1 Sec. Standard, 1-3 Seconds Serially Selectable

<b>Mechanical</b>	
Sections	1 to 10
Poles	1 to 40
Contacts	2 N/O, 2 N/C per Deck
	45° Positive Detent Indexing
Mounting	3-Hole Panel Mounting,
Panel Thickness	3/16" Max. Standard—Others Available
Rotor Contacts	Silver Plated Phosphor—Bronze, Double Grip
Stationary Contacts	Silver Plated Copper, with Integral Screw—Type Terminals
Construction	Contacts Enclosed in Molded—Phenolic Disks

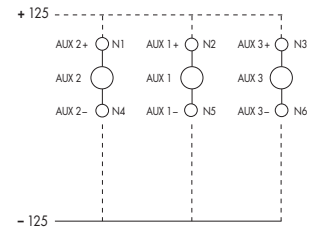
### Operational and Burden Voltage Data

Coil	Rated Voltage	Voltage Range	Coil Circuit DC Ohms @ 25° C	Burden (Amps) at Rated Voltage
C	48 VDC	38—56 VDC	4.83	9.7
D	125 VDC	100—140 VDC	30.49	4.1

### Installation Connections (Rear View)



### Typical System Connections



### Use of Inputs

DNP POINTS - See Table on Page 1 for LED Function	
POSITION 1 (Manual) SETS Object 1 Point 1	The inputs are polarity sensitive. Reverse polarity causes no damage, but input will not be sensed. Consult Technical Bulletin ES-SLSR-1 for further information on DNP3 usage, including system battery voltage measurement, time stamping of events, and sensing of switch position.
POSITION 2 (Auto) SETS Object 1 Point 2	
AUXILIARY 1, SETS DNP Object 1 Point 3	
AUXILIARY 2, SETS DNP Object 1 Point 4	
AUXILIARY 3, SETS DNP Object 1 Point 5	



Note: All features and configurations currently available on the LSR are available on the Serial Latching SLSR.

### Required Ordering Information

- Protocol: DNP 3.00 Std.
- Baud Rate: 9600 Std.
- Handle: Pistol Grip Std.
- Voltage: 125VDC or 48VDC
- Engraving
- Contact Configuration
- L1, L2, L3 (Replaceable LED Colors — Amber, Red, Green, Blue, White, Orange)