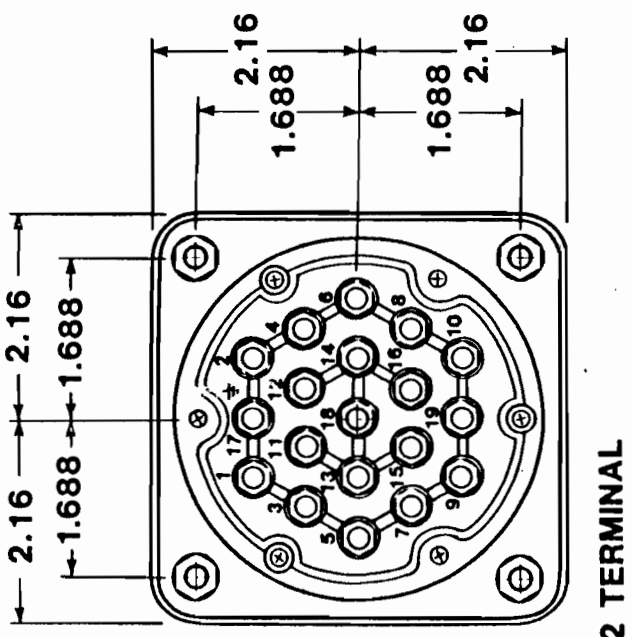
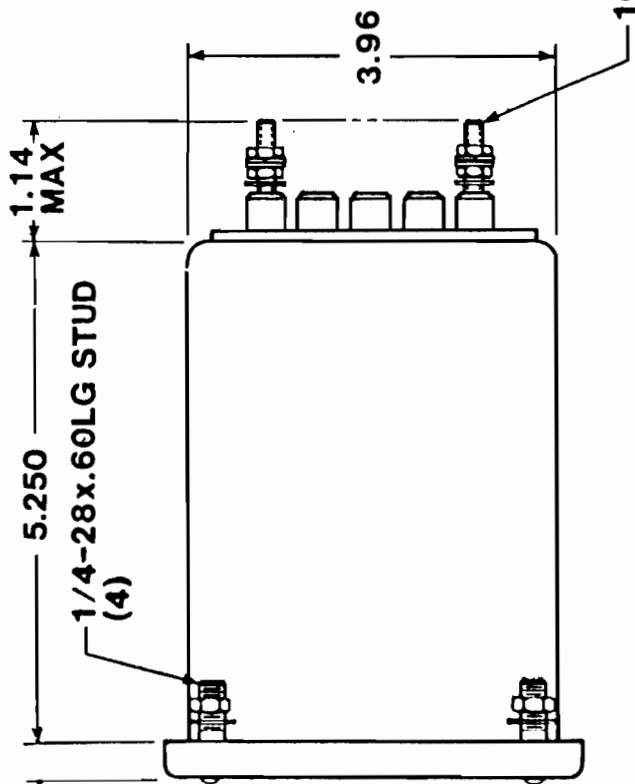
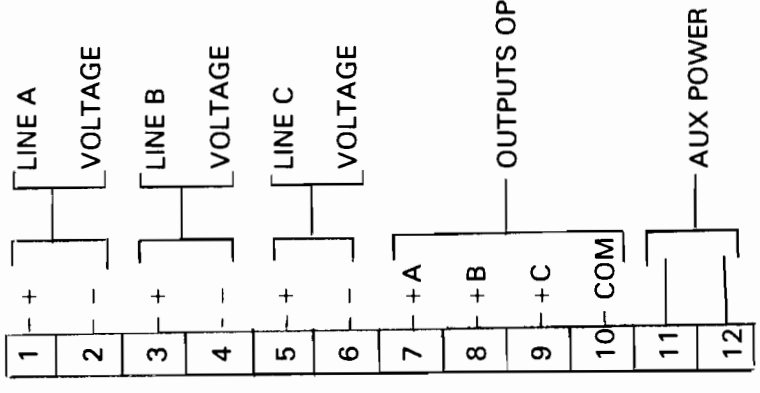


REVISIONS

ZONE	LTR	DESCRIPTION	DATE	APPROVED



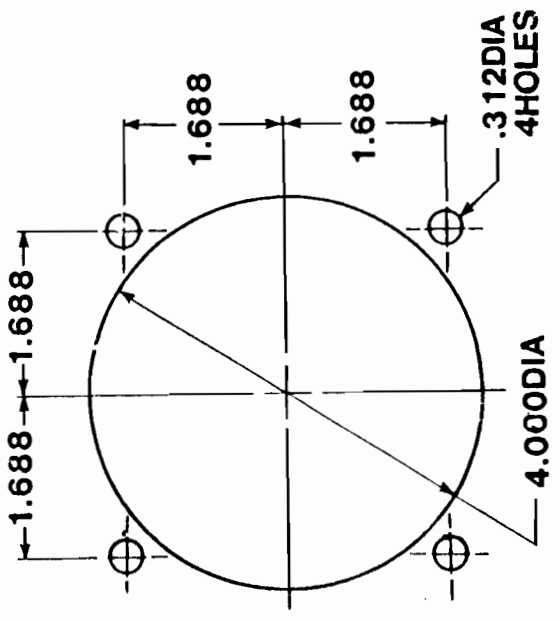
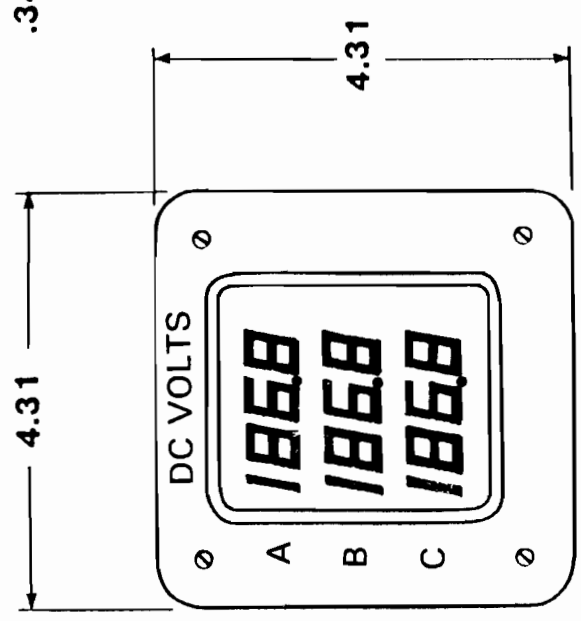
13. CONNECTIONS:



10-32 TERMINAL

SPECIFICATIONS

- INPUTS:** 0 to 200V (3 each), (300V continuous overload).
- OUTPUTS:** 0 to 1mADC (3 each) into 0 to 10K.
- ISOLATION:** 1200VAC/DC between inputs, common output, Aux. Power, case.
- BURDEN:** 1mA max (each input).
- AUXILIARY POWER:** 120V ± 10% @55-65Hz, or 125VDC ± 10%, 10VA.
- INDICATION:** 0 to 199.9.
- DISPLAY:** .6" LED, 3-½ digits, 7-bar with decimal points.
- ACCURACY:** ±.2% of full range:
- VOLTAGE OPTIONS:** Full scale from 1 to 1000VDC. P/N is 25-329*-V, where V is the full scale voltage. (ie.: 25-329*-1000V).
- OUTPUT OPTIONS:**
 - 25-329B: Has no outputs. Terminals 7 to 10 are omitted.
 - 25-329-I420: Has 4-20mA outputs for 0 to V volts inputs. (Load 0 to 500Ω)
 - 25-329-I128: Has 12 ± 8mA outputs for 0 ± V volts inputs. (Load 0 to 500Ω)
 - 25-329-J3.0: Has RS 485 output (DNP3.0/MODBUS format). 0 ± 2000 counts output is on 9 + and 10 -. Terminals 7 & 8 are omitted.
- AUX. POWER OPTION:**
 - 25-329-24 has 24 V ± 20% AC/DC auxiliary power.
 - 25-329-48 has 48V ± 20% AC/DC auxiliary power.
 - 25-329-250 has 250V ± 20% AC/DC auxiliary power.
- COMPLETE PART NUMBER:** (Unused options are omitted). Examples:
 - 25-329-300V-I420-250.
 - 25-329-I420.



PANEL CUTOUT

CONTR. NO.		Pasadena, California 91105	
DRAWN	5 Oct 98	Arga Controls	
CHECK		TRIPLE DC VOLTMETER/TRANSDUCER	
APPROVED		TRIPLE DISPLAY - ISOLATED INPUTS	
SIZE	MFG. CODE IDENT. NO.	SCALE	
B	50290	25-329	
SHEET 1 of 1			