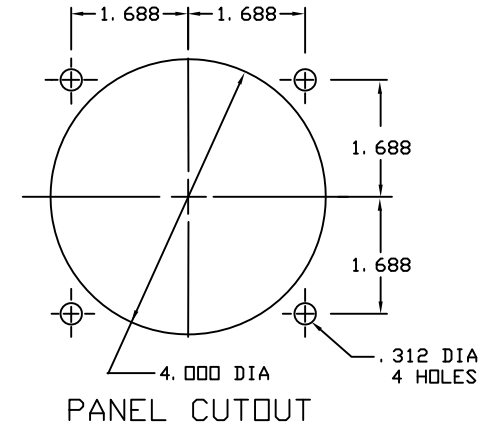
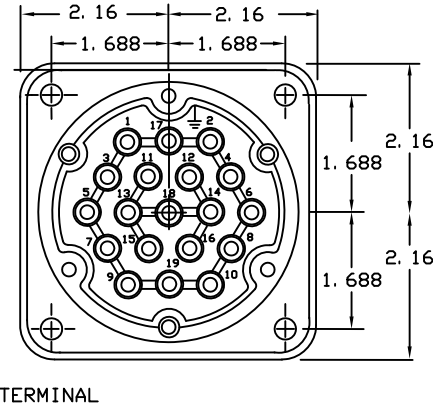
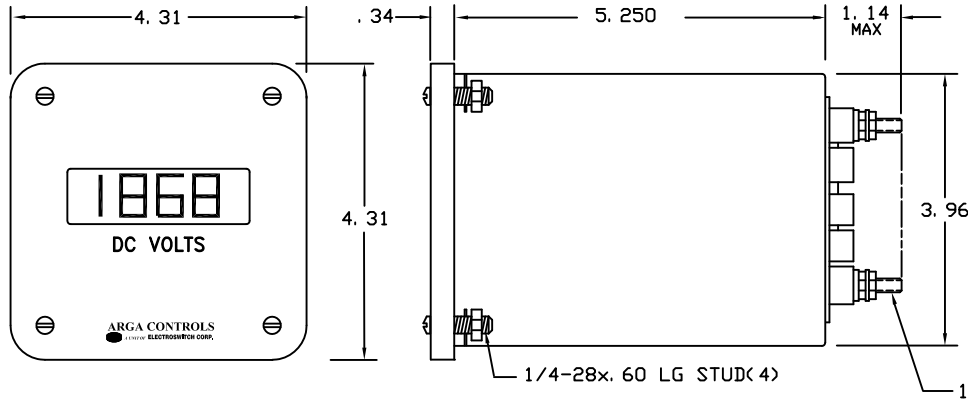


REVISIONS			
LTR	DESCRIPTION	DATE	APPROVED
C	COMPUTERIZED	28 AUG 03	JC/H. G.
D	REVISED NEW ARGA LOGO ECN 052	4 FEB 13	VVN/D. J.



**SPECIFICATIONS:**

- INPUT:** PER \* SUFFIX (I. E. 25-321-10 IS 0 TO ±10VDC).
- BURDEN:** 100 uA MAX. (1mA MAX. FOR IO1 OPTION).
- DISPLAY:** .6" BRIGHT RED LED. ADJUSTABLE FROM ±200 TO ±1999, PLUS DECIMAL POINTS.
- CALIBRATION:** REMOVE FRONT PANEL.
- ACCURACY:** ±.05%, READING ±1 LSD.
- CONVERSION RATE:** 1 PER SEC.
- CAPTION:** PER PURCHASE ORDER.
- # OUTPUT OPTIONS:**
  - 25-321-\* NO OUTPUT
  - 25-321-\*-IO1: ±1mADC INTO 0 TO 10K LOAD.
  - 25-321-\*-I128: 12 ±8mADC INTO 0 TO 500 OHM LOAD.
  - 25-321-\*-I420: 4 TO 20mADC INTO 0 TO 500 OHM LOAD.
  - 25-321-\*-J3.0: J3.0/MOD BUS. OUTPUT IS 0 TO ±2000 ON CHANNEL 0.
- Δ AUX. PWR OPTIONS:**
  - 25-321-\*-\*# HAS 120 VAC/125VDC ±10% POWER, 45-65 HZ, 3VA.
  - 25-321-\*-\*#-24: HAS 24 VAC/DC // // //
  - 25-321-\*-\*#-48: HAS 48 VAC/DC // // //
  - 25-321-\*-\*#-250: HAS 250 VAC/DC // // //

**10. CONNECTIONS:**

**MODEL 25-321-**  
**DIGITAL DC VOLTMETER/TRANSDUCER**

**ARGA CONTROLS**  
A UNIT OF ELECTROSWITCH CORP. Monrovia, California 91016

SER NO.  REV.

**OPTIONS:**

**\*INPUTS.....INPUT VOLTS**

**#OUTPUTS**

- NO OUTPUT
- IO1: 0 TO +1mADC
- I128: 12 +8mADC
- I420: 4 TO 20mADC
- J3.0/MODBUS:

**Δ AUX PWR**

- 120VAC/125VDC ±10%
- 24VAC/DC "
- 48VAC/DC "
- 240VAC/DC "

**ARGA CONTROLS**  
A UNIT OF ELECTROSWITCH CORP. Monrovia, California 91016

**DIGITAL SWITCHBOARD METER**  
**DC VOLTS**

SIZE	FSCM NO.	DWG NO.	REV.
A	50290	25-321-*-*#-Δ	D
DATE: 5OCT89 HG		SHEET 1 OF 1	