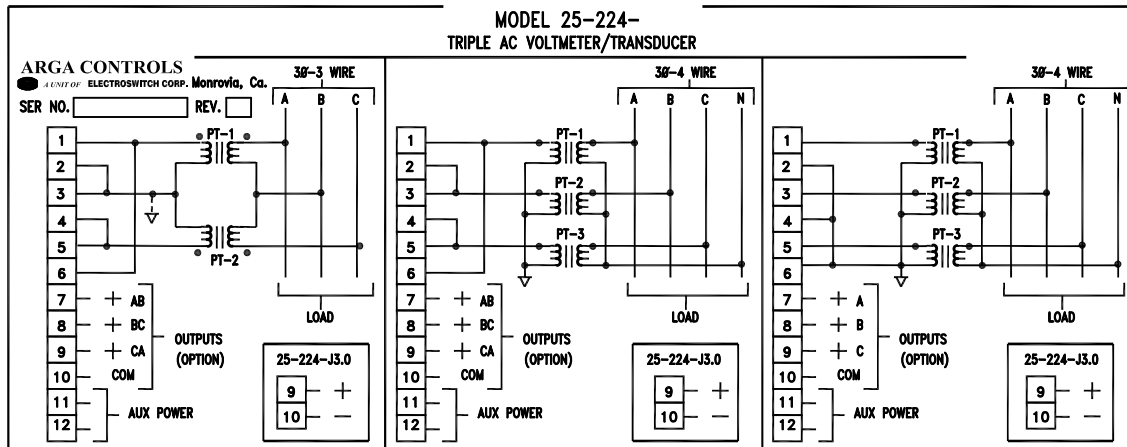


**SPECIFICATIONS:**

1. INPUTS: 0 to 150 VAC (3 ea, 200 VAC continuous overload)
2. OUTPUTS: 0 to 1mADC (3 ea,) into 0 to 10Kohms (not scanned).
3. FREQUENCY: 45-65 Hz.
4. BURDEN: .5VA (each input).
5. AUXILIARY POWER: 120 ±10% @45-65Hz, or 125VDC ±10%, 10VA
6. INDICATION: Front-panel adjustable from 0 to 200 through 0 to 1999, plus decimal points (select by scan button)
7. DISPLAY: 6" LED, red, 3-1/2 digits, 7-segment w/ decimal points
8. ACCURACY: ±.2% of range, ±1LSD
9. OUTPUT OPTIONS:
  - 25-224A: 4-1/2 digit display
  - 25-224B: No outputs, terminals 7-10 omitted
  - 25-224X: Dummy trailing zeroes indicating up to 19990
  - 25-224BX: Same as 25-224X but w/o outputs, terminals 7-10 omitted
  - 25-224\*-VVV: AUX POWER where VVV=24, 48, or 250V, ±10%, AC or DC
  - 25-224-J3.0: Has RS485/DNP3.0/MODBUS output on terminals 9(+) and 10(-). Output is 0 to 2000 counts. CH0 is A voltage, CH1 is B voltage, CH2 is C voltage. Terminals 7-10 omitted.



<b>ARGA CONTROLS</b> A UNIT OF <b>ELECTROSWITCH CORP.</b> Monrovia, California 91016			
<b>TRIPLE AC VOLTMETER/TRANSDUCER</b> <b>SINGLE DISPLAY, RMS SENSING</b>			
SIZE <b>A</b>	FSCM NO. <b>50290</b>	DWG NO. <b>25-224</b>	REV. E 03 DEC 12
DATE: 13 DEC 88			SHEET 1 OF 1