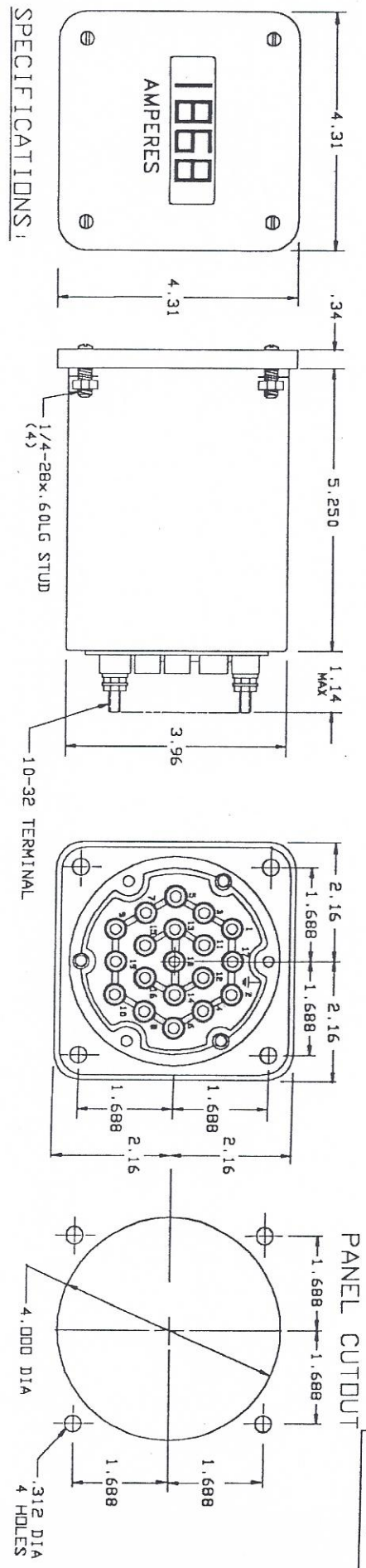


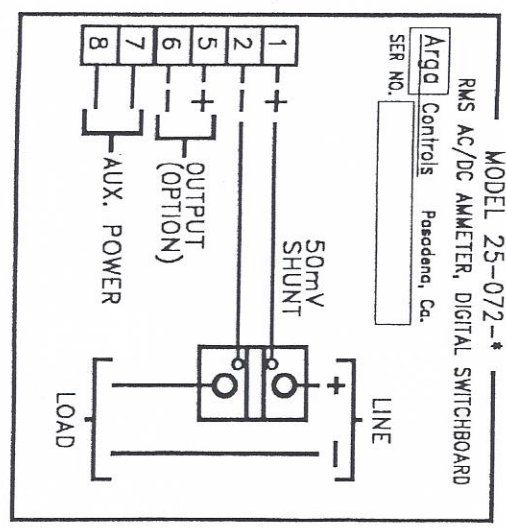
25-072



**SPECIFICATIONS:**

1. INPUT: 0 TO 50mV DC AND 55-65 HZ WITH DISTORTION.
2. BURDEN: 100K MINIMUM.
3. SENSING: RMS OF TOTAL OUTPUT.
4. INDICATION: 0 TO 200/1999 ADJUSTABLE, WITH DECIMAL POINTS.
5. ACCURACY: ±.20%, ±1DIGIT.
6. DISPLAY: .6" LED, RED.
7. CONVERSION RATE: 1/SEC.
8. CALIBRATION/DECIMAL/POINTS: REMOVE FRONT PANEL.
9. OUTPUT OPTIONS:

**10. CONNECTIONS:**



- 25-072-101: 0 TO ±1mADC INTD 0 TO 10K LOAD.
  - 25-072-1128: 12 ±8mADC INTD 0 TO 500 OHM LOAD.
  - 25-072-1420: 4 TO ±20mADC INTD 0 TO 500 OHM LOAD.
  - 25-072-1J3.0: RS485 WITH DNP 3.0/  
MODBUS PROTOCOL ( 0 TO 2000 ).
- 10. AUX POWER OPTIONS:**

- 25-072-\*: 108VAC ±15% AUX POWER.
- 25-072A-\*: 48VAC/DC " " "
- 25-072B-\*: 120VAC/DC " " "
- 25-072C-\*: 240VAC/DC " " "

**Argo Controls**  
Pasadena, California 91105

**DIGITAL SWITCHBOARD AMMETER**  
**RMS AC/DC, SHUNT RATED**

SIZE	FSCM NO.	DWG NO.	REV.
A	50290	25-072-*	B

DATE: 10 JAN 89 SHEET 1 OF 1